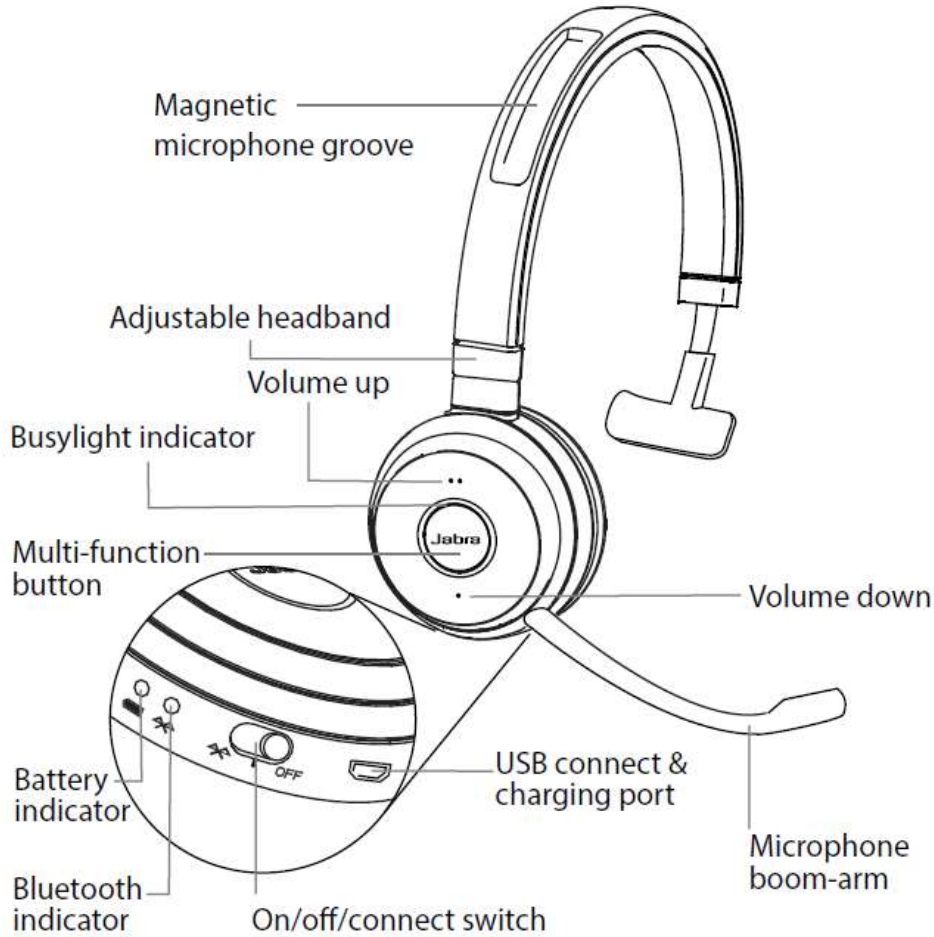


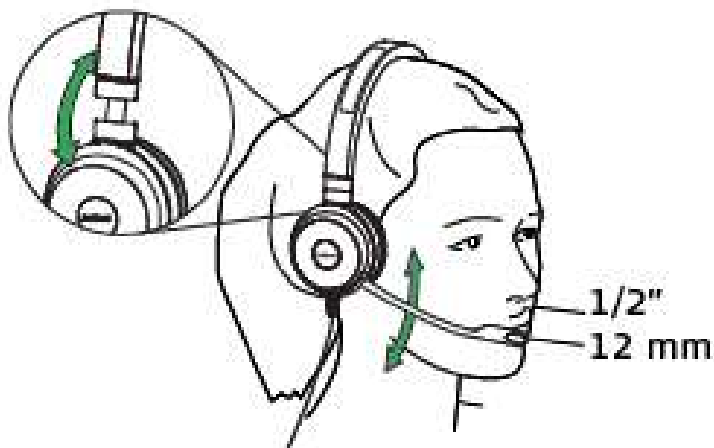
1. JABRA EVOLVE 30 FEATURES

- Connects to PC or Mac via USB cable
- Superior voice capabilities
- Hi-Fi Sound

2. JABRA EVOLVE 65 OVERVIEW

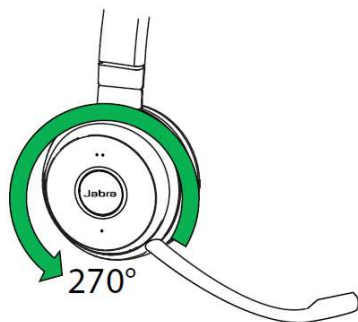


3. HOW TO WEAR



3.1 LEFT OR RIGHT WEARING STYLE

The Jabra Evolve 30 can be worn on the left or right by flipping the microphone to the other side (270° limit).



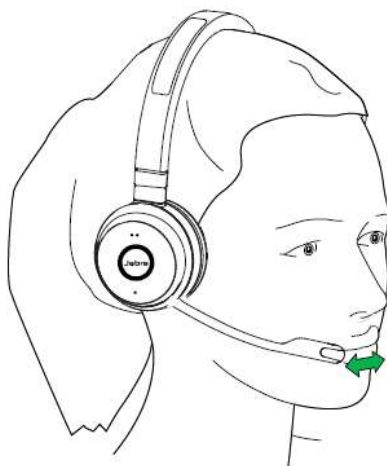
3.2 ADJUST THE HEADBAND

Adjust the headband to find the most comfortable fit.

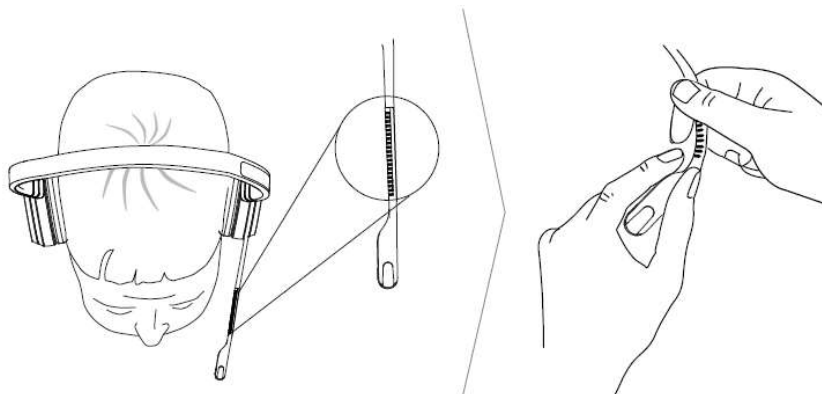


3.3 POSITION THE MICROPHONE

It is recommended to position the microphone close to your mouth (0.5 inches).



The microphone is bendable for personal preference.



4. HOW TO CONNECT

Plug the headset into a USB port on your PC.



5. HOW TO USE

